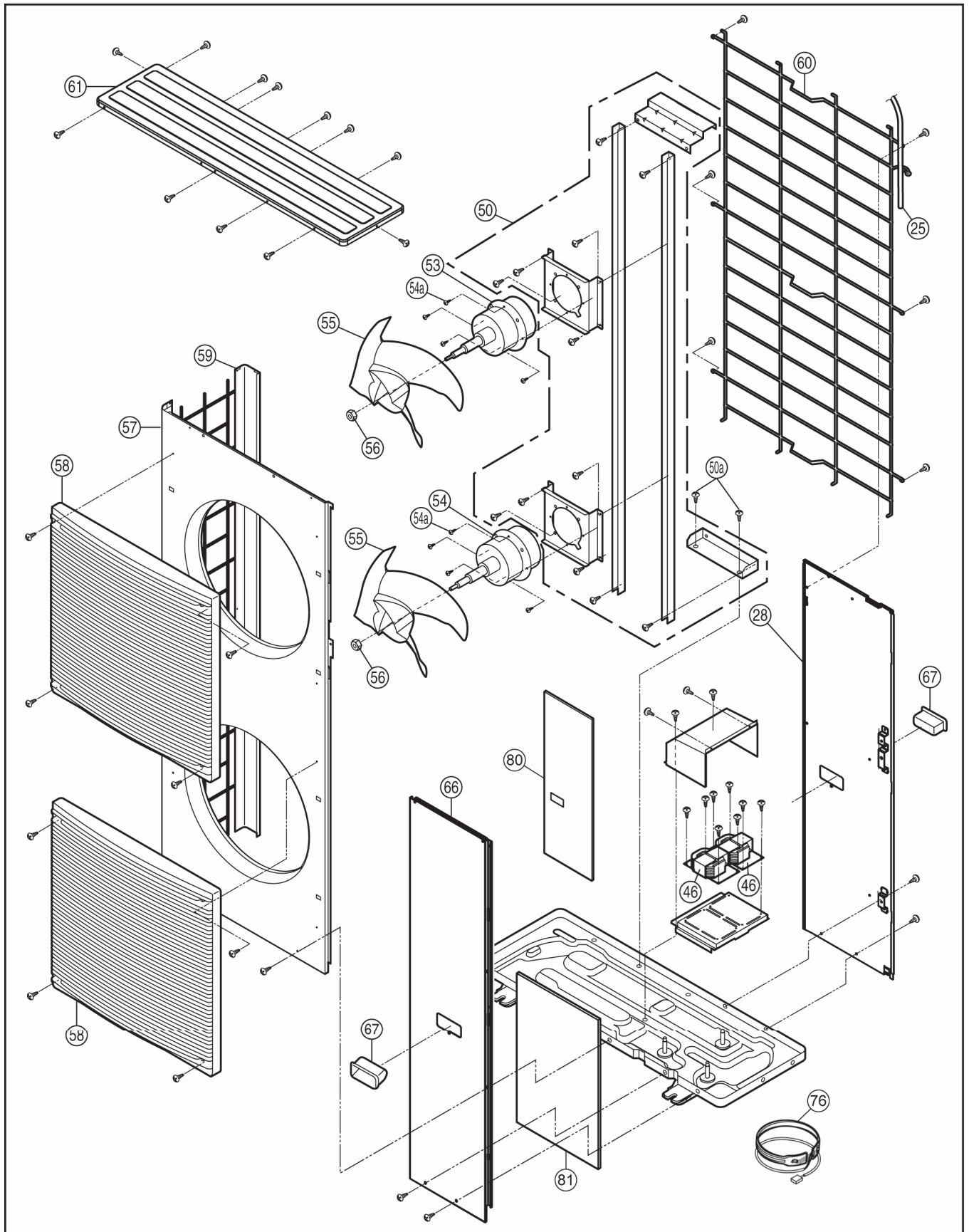
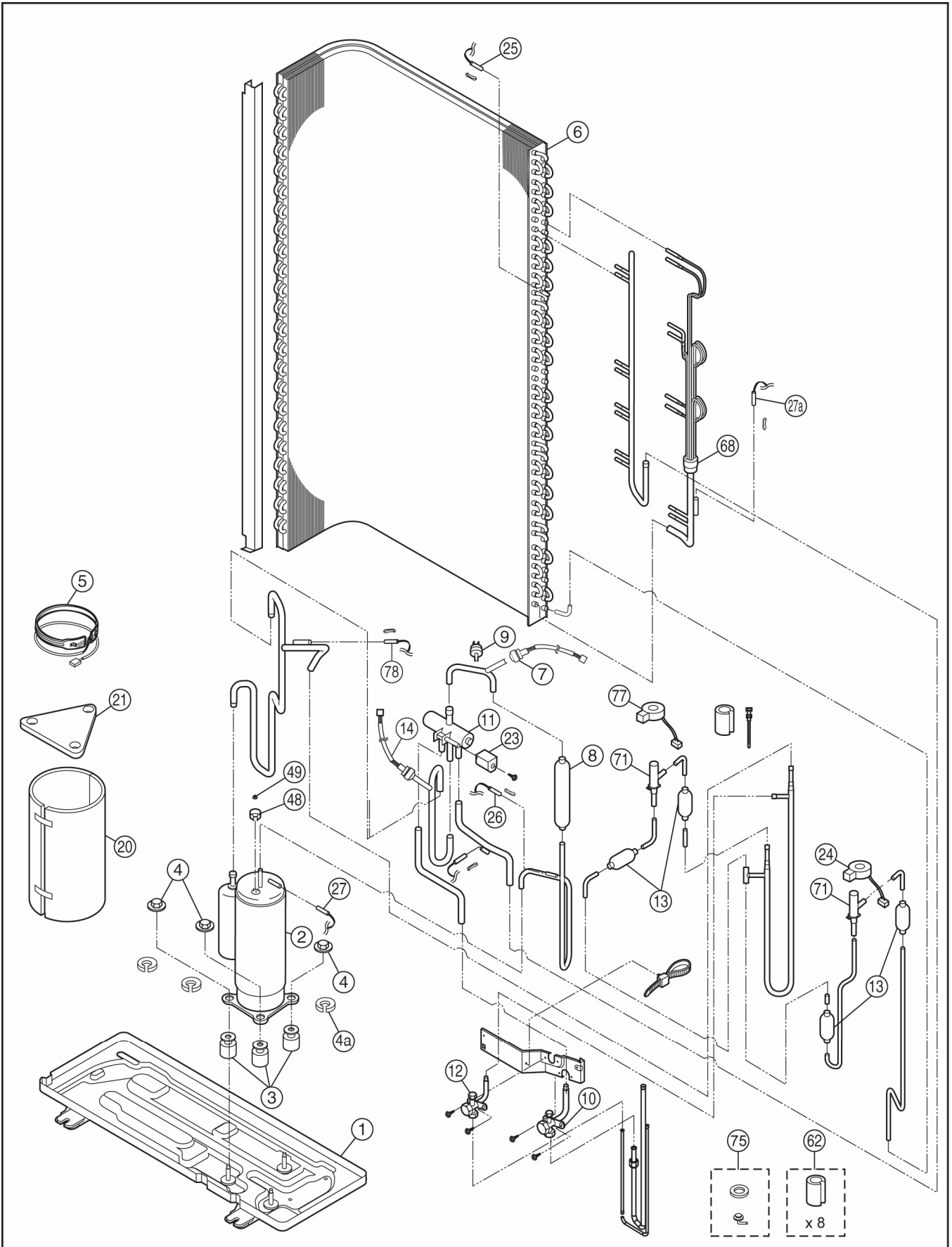
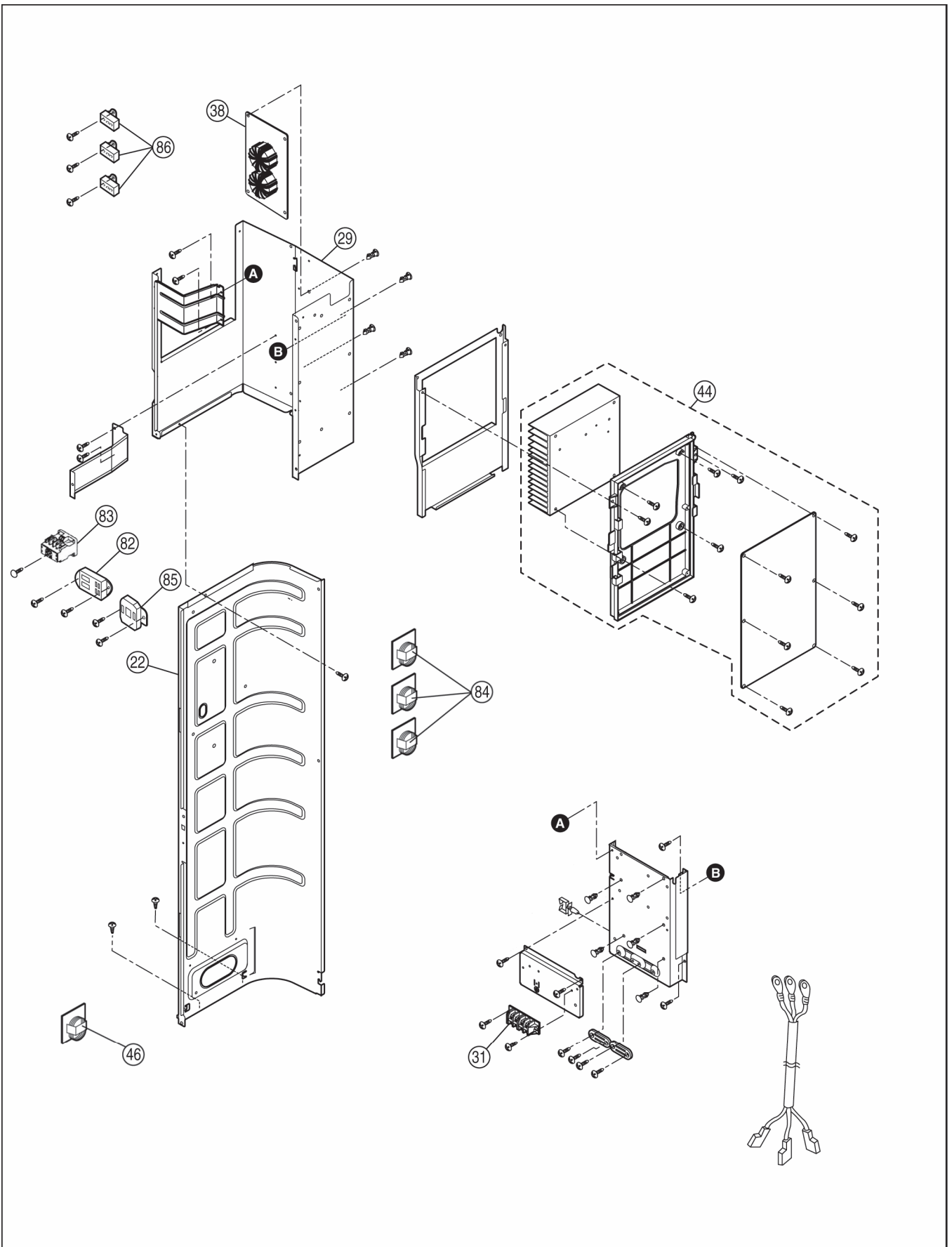


19. Exploded View and Replacement Parts List

19.1 (Refrigerant System)







Note:

- The above exploded view is for the purpose of parts disassembly and replacement.
- The non-numbered parts are not kept as standard service parts.

< Model: Refrigerant System >

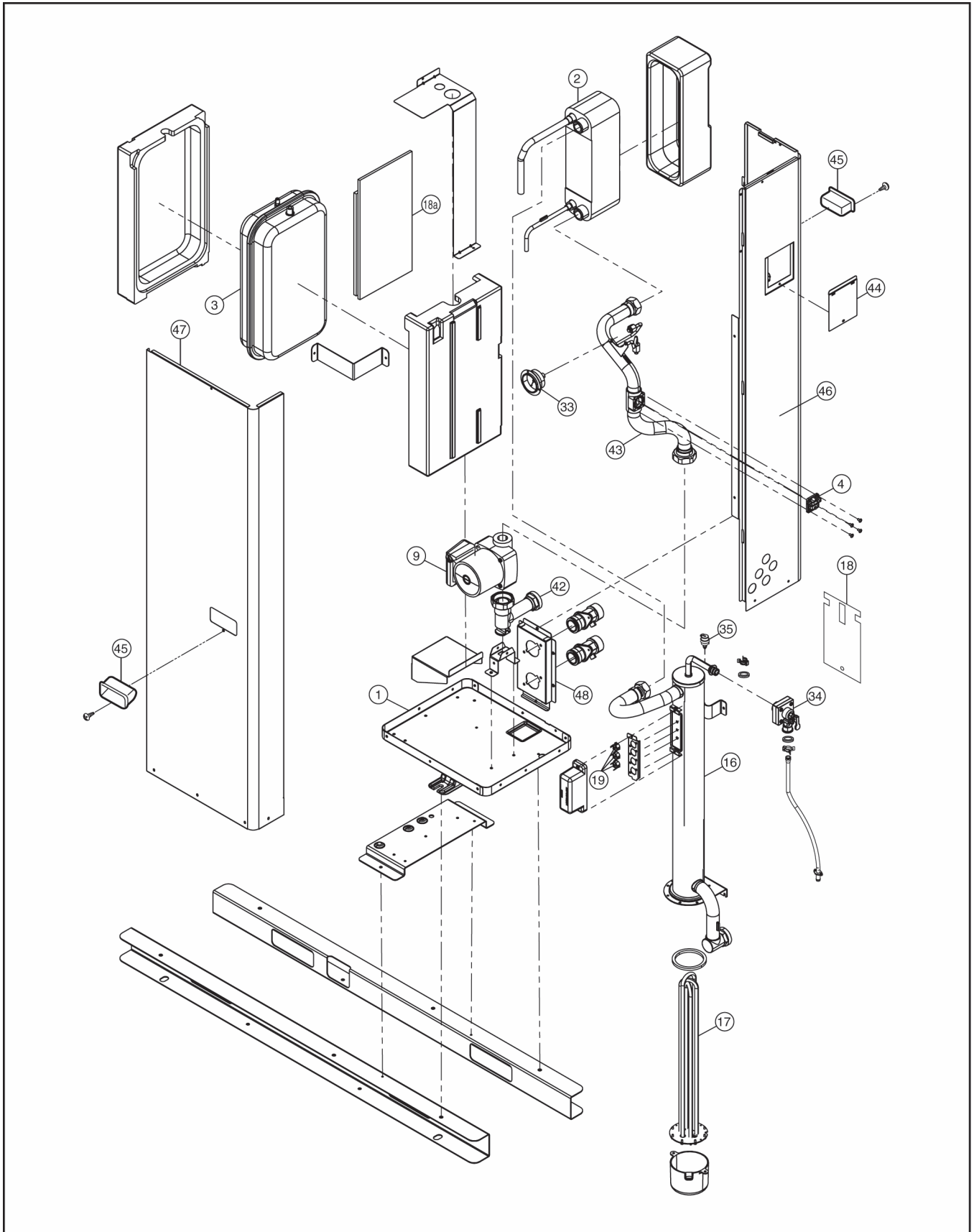
REF. NO.	DESCRIPTION & NAME	QTY.	WH-MHF09D3E8	WH-MHF12D9E8	REMARKS
1	BASE PAN ASS'Y	1	CWD52K1276	←	
2	COMPRESSOR	1	4JD650XBA22	←	O
3	BUSHING - COMPRESSOR MOUNT	3	CWH50055	←	
4	NUT - COMPRESSOR MOUNT	3	CWH561049	←	
4a	GASKET FOR TERMINAL COVER	3	CWB811017	←	
5	CRANKCASE HEATER	1	CWA341053	←	
6	CONDENSER COMPLETE	1	CWB32C3584	←	
7	HIGH PRESSURE SENSOR	1	CWA50C2570	←	
8	DISCHARGE MUFFLER	1	CWB121014	←	
9	PRESSURE SWITCH	1	CWA101013	←	
10	3-WAYS VALVE (GAS)	1	CWB011700	←	O
11	4-WAYS VALVE	1	CWB001046	←	O
12	3-WAYS VALVE	1	CWB011699	←	
13	STRAINER	4	CWB111032	←	
14	LOW PRESSURE SENSOR	1	CWA50C2571	←	
20	SOUND PROOF MATERIAL	1	CWG302265	←	
21	SOUND PROOF MATERIAL	1	CWG302266	←	
22	SOUND PROOF BOARD	1	CWH15K1031	←	
23	V-COIL COMPLETE - 4-WAYS VALVE	1	CWA43C2169J	←	O
24	V-COIL COMPLETE - EXP. VALVE	1	CWA43C2478	←	O
25	SENSOR-COMP. TEMP./COIL	1	CWA50C2730	←	O
26	SENSOR-COMP.DISCHARGE	1	CWA50C2576	←	O
27	SENSOR-COMPLETE	1	CWA50C2629	←	O
27a	SENSOR-COMP. DEF.	1	CWA50C2577	←	O
28	CABINET REAR PLATE - COMPLETE	1	CWE02K1019A	←	
29	CONTROL BOARD CASING	1	CWH10K1049	←	
31	TERMINAL BOARD ASS'Y	1	CWA28K1214	←	O
38	ELECTRONIC CONTROLLER (NOISE FILTER)	1	CWA745822	←	O
44	ELECTRONIC CONTROLLER (MAIN)	1	CWA73C6780R	CWA73C6781R	O
46	REACTOR	3	G0C293J00001	←	O
48	TERMINAL COVER	1	CWH171054	←	
49	NUT - TERMINAL COVER	1	CWH7080300J	←	
50	FAN MOTOR BRACKET	1	CWD54K1024	←	
50a	SCREW - FAN MOTOR BRACKET	2	CWH551040J	←	
53	FAN MOTOR (UPPER)	1	EHDS83CAC	←	O
54	FAN MOTOR (BOTTOM)	1	EHDS83DAC	←	O
54a	SCREW - FAN MOTOR MOUNT	8	CWH551323	←	
55	PROPELLER FAN ASSY	2	CWH00K1006	←	
56	NUT	2	CWH561092	←	
57	CABINET FRONT PLATE	1	CWE061098A	←	
58	DISCHARGE GRILLE	2	CWE201073	←	
59	CABINET SIDE PLATE ASSY	1	CWE04K1023A	←	
60	WIRE NET	1	CWD041103A	←	
61	CABINET TOP PLATE CO.	1	CWE03C1105	←	
62	ACCESSORY - COMPLETE	1	CWH82C1839	←	
66	CABINET FRONT PLATE	1	CWE061274A	←	
67	HANDLE	2	CWE161014	←	
68	TUBE ASSY (CAP.TUBE)	1	CWT07K1619	←	
71	EXPANSION VALVE	2	CWB051029	←	
75	ACCESORY CO. (DRAIN ELBOW)	1	CWG87C2030	←	
76	CRANKCASE HEATER (BASE PAN)	1	CWA341071	←	
77	V-COIL COMPLETE	1	CWA43C2335	←	O
78	SENSOR - COMP.	1	CWA50C2807	←	O

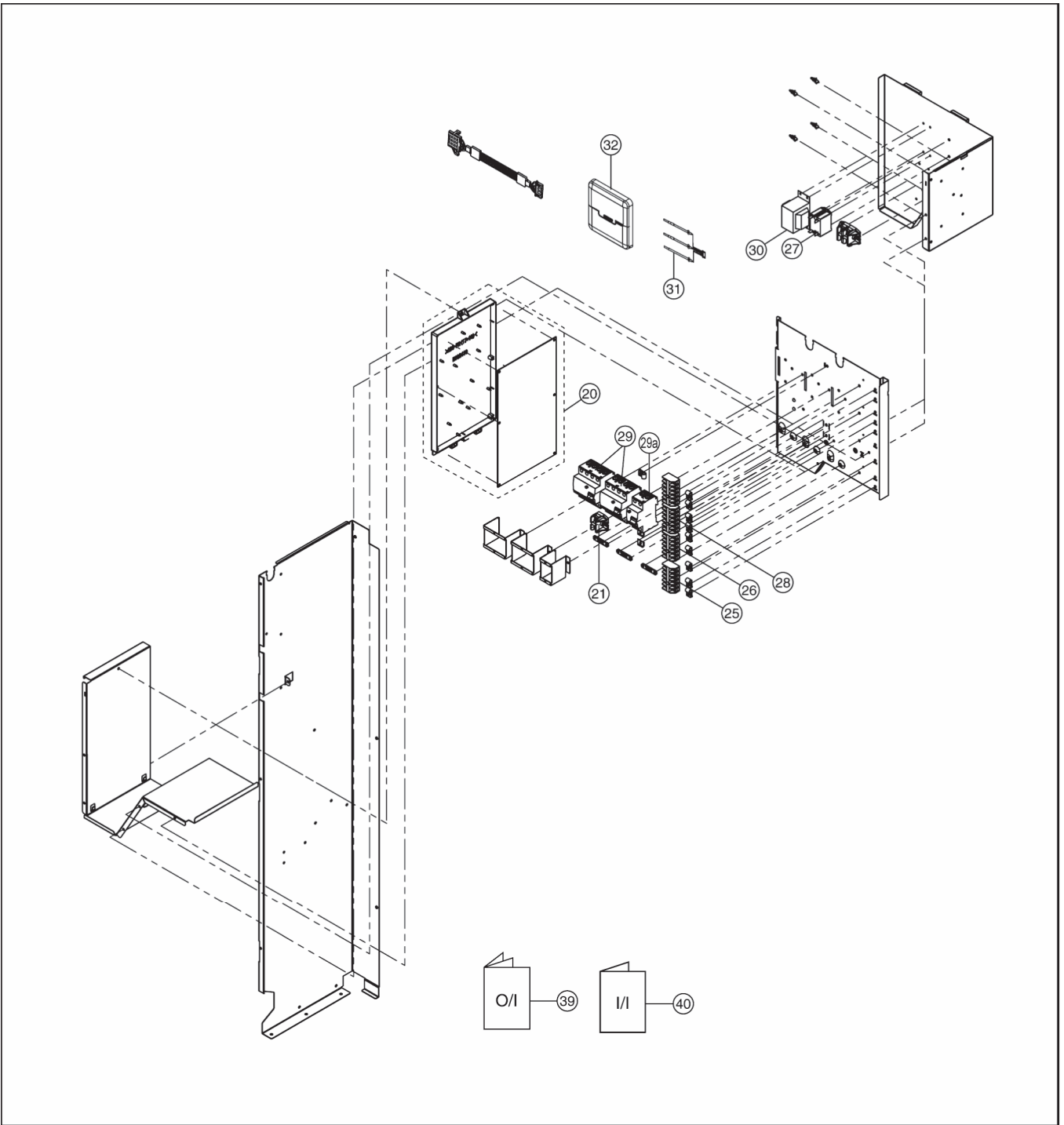
80	SOUND PROOF MATERIAL	1	CWG302635	←	
81	SOUND PROOF MATERIAL	1	CWG302599	←	
82	ELECTRO MAGNETIC SWITCH	1	K6C2AGA00002	←	
83	ELECTRO MAGNETIC SWITCH	1	K6C4E8A00001	←	
84	REACTOR	3	G0C153J00009	←	
85	PTC THERMISTORS	1	D4DDG1010001	←	
86	CAPACITOR-FM	3	DS441205NPQA	←	

Note:

- All parts are supplied from PAPAMY, Malaysia (Vendor Code: 00029488).
- "O" marked parts are recommended to be kept in stock.

19.2 (Water System)





Note:

- The above exploded view is for the purpose of parts disassembly and replacement.
- The non-numbered parts are not kept as standard service parts.

< Model: Water System >

REF. NO.	DESCRIPTION & NAME	QTY.	WH-MHF09D3E8	WH-MHF12D9E8	REMARKS
1	BASE PAN ASS'Y	1	CWD52K1242	←	
2	HOT WATER COIL-COMplete	1	CWB90C1082	←	
3	RECEIVER	1	CWB141039	←	
4	FLOAT (FLOW SWITCH)	1	CWB601008	←	
9	PUMP	1	CWB532096	←	O
16	BOTTLE COMP.	1	CWH90C0026	←	
17	HEATER ASS'Y	1	CWA34K1029	CWA34K1030	
18	SOUND PROOF MATERIAL	1	CWG302592	←	
18a	SOUND PROOF MATERIAL	1	CWG302594	←	
19	THERMOSTAT	4	CWA151065	←	O
20	ELECTRONIC CONTROLLER (MAIN)	1	CWA73C6731R	CWA73C6732R	O
21	TERMINAL BOARD ASS'Y	1	CWA28K1200	←	O
25	TERMINAL BOARD ASS'Y	1	CWA28K1211	←	O
26	TERMINAL BOARD ASS'Y	1	CWA28K1221	←	O
27	MAGNET RELAYS	1	K6C1AYY00004	←	O
28	TERMINAL BOARD ASS'Y	1	CWA28K1222	←	O
29	CIRCUIT BREAKER	2	CWA181008	←	O
29a	CIRCUIT BREAKER	1	CWA181005	←	O
30	TRANSFORMER - COMPLETE	1	CWA40C1096	←	O
31	SENSOR - COMPLETE	1	CWA50C2749	←	O
32	REMOTE CONTROL COMPLETE	1	CWA75C4014	←	O
33	PRESSURE GAUGE	1	CWB070001	←	O
34	PRESSURE RELIEF VALVE	1	CWB621092	←	
35	PRESSURE RELIEF VALVE	1	CWB621094	←	
39	OPERATING INSTRUCTION	1	CWF568452	←	
40	INSTALLATION INSTRUCTION	1	CWF615252	←	
42	TUBE CONNECTOR - COMPLETE	1	CWT29C1050	←	
43	TUBE CONNECTOR - COMPLETE	1	CWT29C1062	←	
44	CONTROL BOARD COVER	1	CWH131420A	←	
45	HANDLE	2	CWE161014	←	
46	CABINET SIDE PLATE ASS'Y	1	CWE04K1060A	←	
47	CABINET FRONT PLATE	1	CWE061275A	←	
48	HOLDER COUPLING	1	CWH351181A	←	

Note:

- All parts are supplied from PAPAMY, Malaysia (Vendor Code: 00029488).
- "O" marked parts are recommended to be kept in stock.